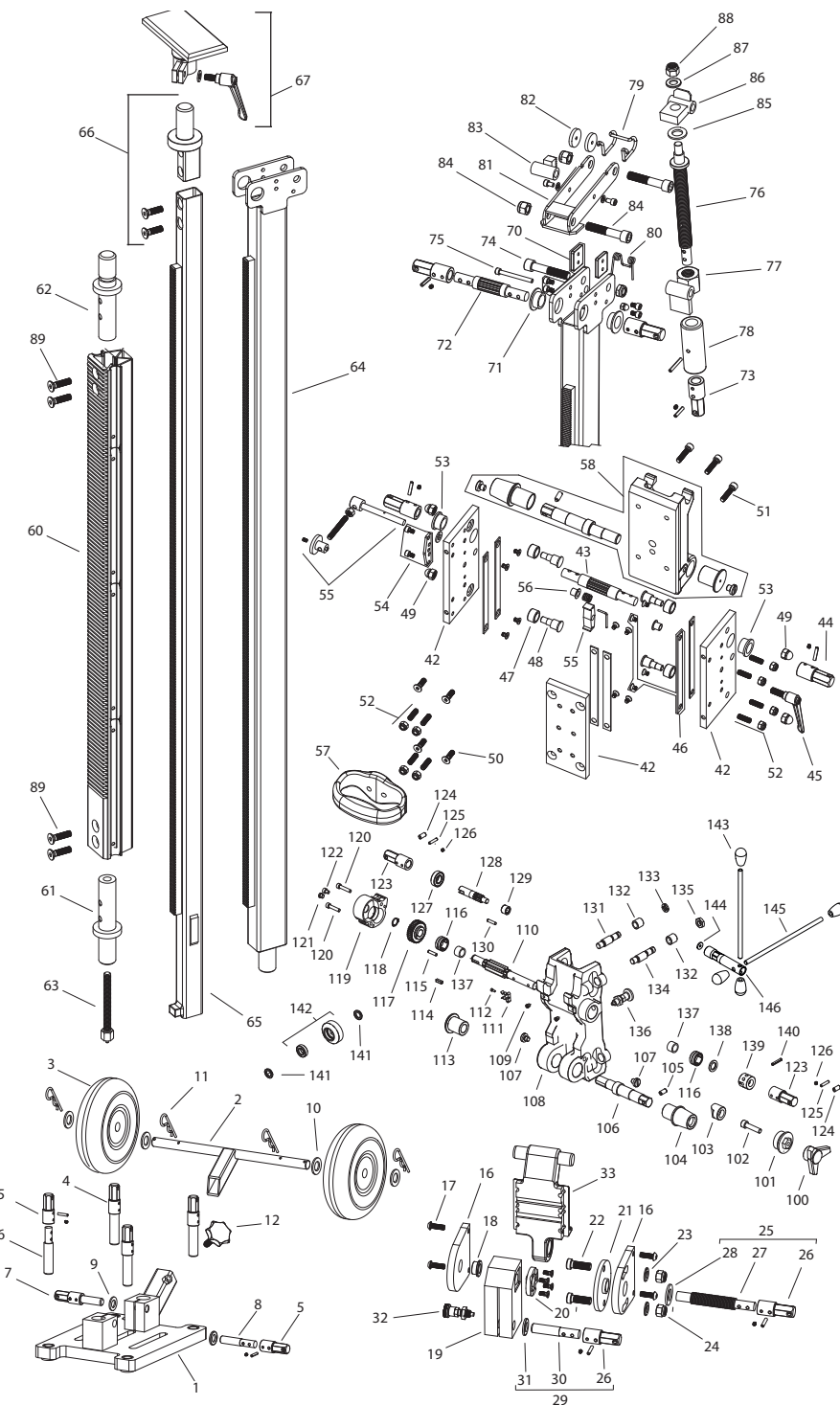
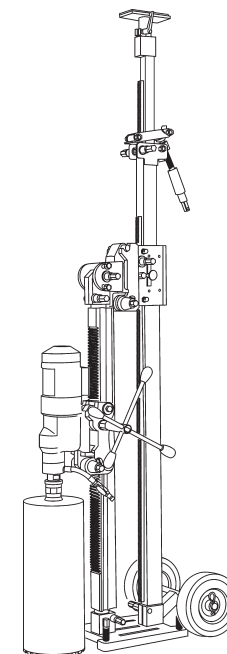


# Operating Instructions Spare parts list

Core drilling system DRU350 ★★★

Index 002



No	Description	Qty	Part No.	No	Description	Qty	Part No.
1	Base stand	1	10985094	85	Brass washer	1	10985155
2	Wheel axle	1	10985095	86	Guideplate holder	1	10994774
3	Wheel	2	10985096	87	Brass washer	1	10985157
4	Trapeze screw	4	10985097	88	M12 nut nyloc	1	10985158
5	Screw 19 mm Hex	4	10985098	89	M10x30 Screw	4	10994773
6	Trapeze screw 20x4	4	10985099	100	Star knob M8	1	10989298
7	M16 Screw	2	10985100	101	Tensioning screw	1	10989293
8	M16 Screw	2	10985101	102	Socket screw M8x35	1	971740
9	Brass washer	2	10985102	103	Sliding block bronze	1	10989297
10	Brass washer 20mm	4	10985103	104	Bush I	1	977491
11	Split pin	4	10985104	105	Spring catch M8	1	971981
12	Star knob M12	1	10985105	106	Excentric shaft III	1	977492
16	Aluminiumplates	2	10985107	107	Clamping screw	2	977335
17	M8 Screw	4	10985108	108	Support housing	1	10988545
18	Bushing 16mm	1	10985109	109	Grease nipple D1 M6	2	972461
19	Pillar holder	1	10985110	110	Drive shaft	1	965854
20	KB50 4xM6 screw	1	10985111	111	Tool clip	1	10988689
21	KB90	1	10985112	112	Socket screw M3x8	1	971673
22	M12 Screw	2	10985113	113	Bush II	1	978540
23	M12 Washer	2	10985114	114	Key	1	968700
24	M12 Nut	2	10985115	115	Straight pin 5m6 x 24	1	979408
25	M20 screw	1	10985116	116	Needle bearing 4902	1	977501
26	Screw 19mm Hex	1	10985098	117	Gear wheel	1	968698
27	M20 Screw	1	10985117	118	Circlip shaft dia 15	1	971992
28	Brass washer 20mm	1	10985118	119	Gear housing	1	968696
29	M16 Screw	1	10985100	120	Socket screw M6x30	1	971713
30	M16 Screw	1	10985101	121	Grease nipple D1 M8	1	972462
31	Brass washer 16mm	1	10985102	122	Socket screw M6x8	1	971702
32	Adjustable snap lock	1	10985119	123	Adapter	2	965863
33	Modified holder	1	10994795	124	Spring catch M8	2	971981
T3	Housing Tyrolit	1	10985120	125	Coiled spring pin 5x24	2	962474
42	Sideplates	3	10985121	126	Threaded pin M6x5	2	960776
43	Axle	1	10985122	127	Ball bearing 6002-2RS	1	972146
44	Screw 19mm Hex	2	10985098	128	Crank shaft short	1	968699
45	Lever M10x25	1	10985123	129	Needle bearing 10/12	1	968701
46	Guideplate	6	10985124	130	Straight pin 5m6 x 24	1	979408
47	Bearing	4	10985125	131	Roll shaft centric	2	10988661
48	Bearing fastener	4	10985126	132	Bearing shell	4	10988663
49	Domed cap nut	4	10985127	133	Stop nut M12x1	2	10988554
50	Hex socket M8x25	4	10985128	134	Roll shaft excentric	2	10988719
51	Hex socket M8x30	4	10985129	135	Hexagonal nut M12	2	971856
52	M8x25 RF w. M8	8	10985130	136	Locking pin M12x1.5	1	977587
53	Bushing 20mm	2	10985131	137	Inner ring dia 15/20/14	2	977525
54	Stainless steel plate	1	10985132	138	Washer M14 15/24/2.5	1	969122
55	Cog lock complete	1	10985133	139	Ring	1	977591
56	Bush	2	10985134	140	Rollpin tooth.slot 5x28	1	10983077
57	Handle incl. Screw	1	10985135	141	Spacer ring	8	10988423
58	Holder Tyrolit	1	10987730	142	Roll double-row	4	10988624
60	Feeding pillar	1	10994794	143	Switching handle	4	980247
61	Aluminiumpeg	1	10994771	144	Friction piece	1	960778
62	Aluminiumpeg	1	10994772	145	Crank rod long	2	962480
63	Trapeze screw	1	10985138	146	Crank pin	1	965865
64	Outer telescope 60x40	1	10985139				
65	Inner telescope 40x30	1	10985140				
66	Aluminiumpeg / Screw	1	10985141				
67	Cover	1	10988096				
70	Brassplate	2	10985142				
71	Bushing 20mm	2	10985131				
72	Axle	1	10985143				
73	Screw 19mm Hex	2	10985098				
74	M12 screw and nut	1	10985144				
75	M6 screw and nut	1	10985145				
76	Trapeze screw 20x4	1	10985146				
77	Nut	1	10985147				
78	Aluminium handle	1	10985148				
79	Spring special	1	10985149				
80	Spring	1	10985150				
81	Guideplate	1	10985151				
82	Shimwasher	2	10985152				
83	Pipe with cogrod	1	10985153				
84	M12 screw and nut	2	10985154				



## Danger

These Operating Instructions are supplemented by the primary "Core drilling Safety Manual / System Description" documentation and by the documentation accompanying the product.

# Congratulations!

You have decided to purchase a tried and tested TYROLIT Hydrostress AG system and have thus acquired a highly sophisticated and reliable state-of-the-art unit.

- High performance
- Reliable operation
- High portability
- Easy handling

Low maintenance costs

Only original TYROLIT Hydrostress AG spare parts can guarantee quality and interchangeability.

In the case of neglected or inappropriate maintenance, we will be unable to accept the warranty commitment as specified in our terms of delivery.

Any repair work must be carried out by trained personnel only.

If you need more details about how to keep your TYROLIT Hydrostress AG system in perfect condition, please contact our after-sales service for further information.

We hope that working with your TYROLIT Hydrostress AG system will be a problem-free and fault-free experience.

## TYROLIT Hydrostress AG

Copyright © TYROLIT Hydrostress AG

TYROLIT Hydrostress AG

Witzbergstrasse 18

CH-8330 Pfäffikon

Switzerland

Phone 0041 (0) 44 / 952 18 18

Fax 0041 (0) 44 / 952 18 00

[www.tyrolit.com](http://www.tyrolit.com)

DRU350 ★★★

